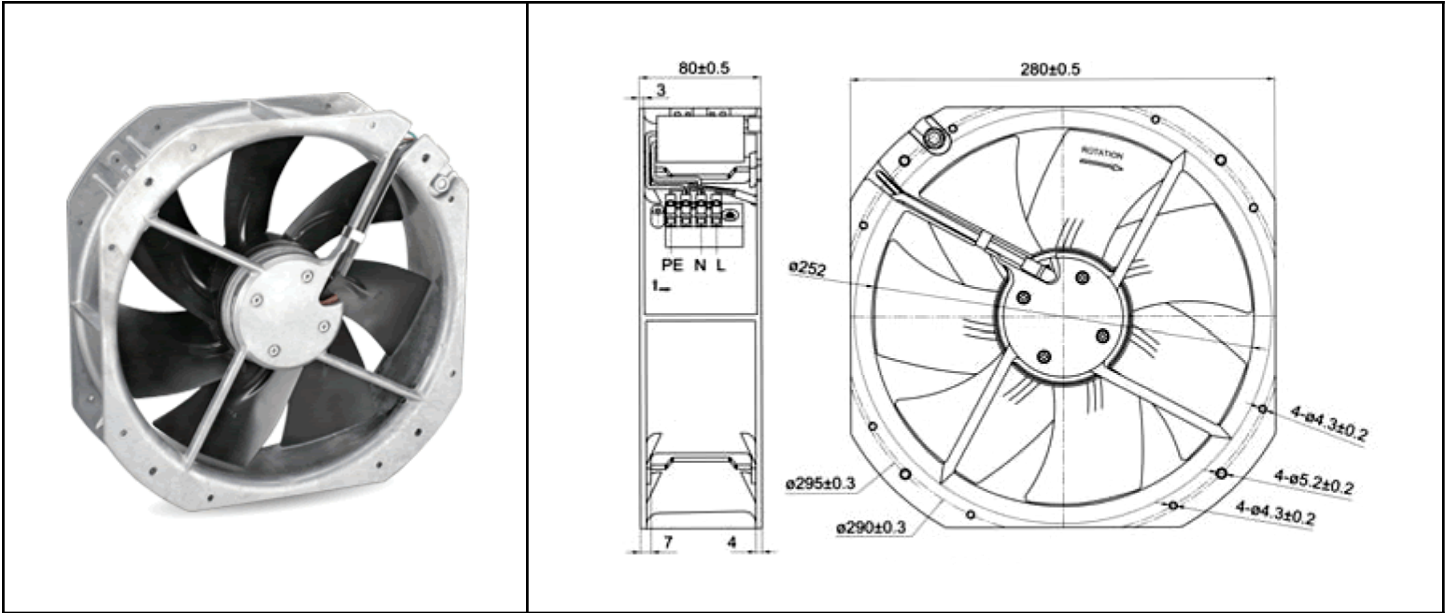


OA280 Series



280 x 80mm
(11.0" x 3.15")



| | | | |
|---------------------|--|--|--|
| Frame | Diecast Aluminum | <u>Operating Temperature</u> Ball Bearing -40C ~ +60C <u>Life Expectancy</u> Ball Bearing 40,000 hours (L10 at 40C) | |
| Impeller | Metal | | |
| Connection | Terminal Block, 18AWG | | |
| Motor | Capacitor drive, impedance and thermally protected | | |
| Bearing System | Dual ball | | |
| Insulation | Class B | | |
| Dielectric Strength | 1 min at 1500 VAC, 50/60Hz | | |

| Part Number | OA280AN-11-WB | OA280AN-22-WB |
|----------------------|------------------------|------------------------|
| Nominal Voltage | 115VAC | 230VAC |
| Voltage Range | 100 ~ 125VAC | 200 ~ 240VAC |
| Rated Power | 170 W | 185 W |
| Nominal Current | 1.5 A | 0.82 A |
| Rated Speed (RPM) | 2700 | 2700 |
| Airflow (CFM) | 1130 | 1130 |
| Noise Level (dB) | 70 | 70 |
| Max. Static Pressure | 0.78" H ₂ O | 0.78" H ₂ O |